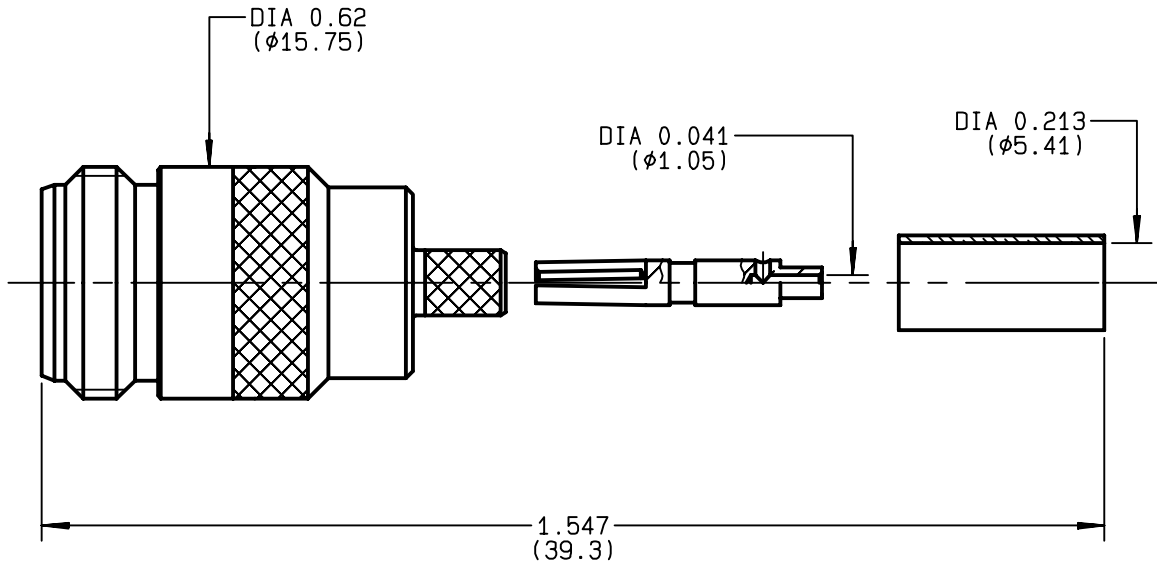


**STRAIGHT JACK FULL CRIMP-TYPE  
CABLE 5/50 S**

**R161.237.000**  
**SERIES N**



NOMINAL IMPEDANCE	<b>50</b> Ω	CABLES : <b>BSSM 742</b> <b>KX 15</b> <b>RG 141</b> <b>RG 58</b>
FREQUENCY RANGE	<b>0-11</b> GHz	
TEMPERATURE RATING	<b>-55/+155</b> °C	
V.S.W.R	<b>1.20</b> + x F(GHz)Maxi	
RF INSERTION LOSS	<b>0.048</b> √F(GHz) dB Maxi	
VOLTAGE RATING	<b>850</b> Veff Maxi	
DIELECTRIC WITHSTANDING VOLTAGE	<b>1500</b> Veff Mini	
INSULATION RESISTANCE	<b>5000</b> MΩMini	
HERMETIC SEAL	<b>NA</b> Atm.cm <sup>3</sup> /s	
LEAKAGE (pressurized only)	<b>NA</b>	
MECHANICAL DURABILITY	<b>500</b> Cycles	OTHERS CHARACTERISTICS
WEIGHT	<b>25.6</b> gr	CABLE RETENTION <b>150</b> N Mini
SPECIFICATION		CENTER CONTACT RETENTION
		Axial force - mating end <b>27</b> N Mini
		Axial force - opposite end <b>27</b> N Mini
		Torque <b>NA</b> cm.N Mini
		RECOMMENDED TORQUES
		Mating <b>NA</b> cm.N
		Panel nut <b>NA</b> cm.N
		Clamp nut <b>NA</b> cm.N

CONNECTOR PARTS	MATERIALS	FINISH	(all values are given ) in micrometers
BODY	BRASS	BBR 2	
OUTER CONTACT	BRASS	BBR 2	
CENTER CONTACT	BERYLLIUM COPPER	GOLD 0.5 OVER NICKEL 2	
INSULATOR	PTFE	-	
GASKET	-	-	
OTHERS PIECES	BRASS	BBR 2	

ISSUE	CREATION DATE	FILE PART-NUMBER
<b>9737D01</b>	<b>21/07/1993</b>	<b>EPC 96-07</b>



BONMINI

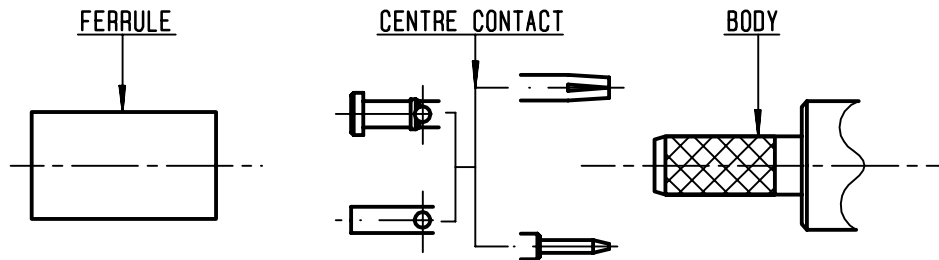
The information given here is subject to change without notice.  
Design changes may be in order to improve the product .

*Connect to the future*



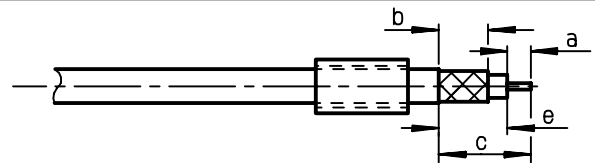
**R161.237.000**

ISSUE **9737D01** SERIES **N**



①

Slide onto the cable the ferrule  
Strip the cable .  
-  
-

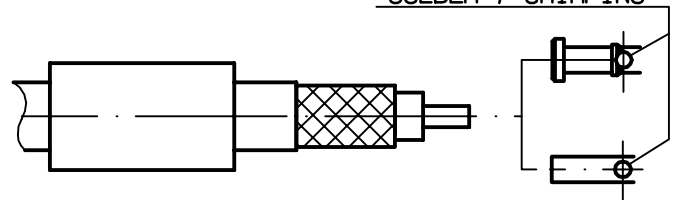


Stripping	a	b	c	d	e
inch	0.177	0.315	0.551	0	0.374
mm	4.5	8	14		9.5

②

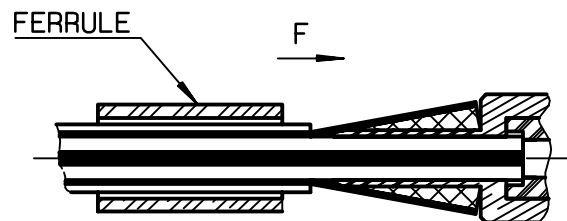
Slide on centre contact until it bottoms against cable dielectrique .  
Solder or crimp centre contact .  
Crimping tool : R282 223 000 ( Hex. : .068 )  
or R282 293 000 ( M22520/5-01 )  
+ dies R282 235 011 ( M22520/5-11 ) .  
-  
-  
-

SOLDER / CRIMPING



③

Fan the braid .  
Slide cable into the body until bottoms against insulator .  
Slide ferrule over the braid .  
(In direction F)



④

Crimp the ferrule with crimping tool R 282 223 000 ( Hex. : .213 ) or crimping tool R282 293 000 ( M22520/5-01 )  
+ dies R282 235 011 ( M22520/5-11 )  
Cut the excess of braid .  
-  
-  
-  
-

